

Rory's Story Cubes®

Small games to spend time with Rory's Story Cubes.

2 Guessing games

a) The symbols below correspond to a famous novel character, which one?



b) What country do you think of when you see these symbols?



c) "I am under water, I can be red, brown, or purple. Also, I blend into the background. Who am I?" Circle the correct answer.



d) Who are these characters in Greek Mythology?



Rory's Story Cubes®

Small games to spend time
with Rory's Story Cubes.

3 Create a picture

Draw your inspiration from the following symbols to create a picture:



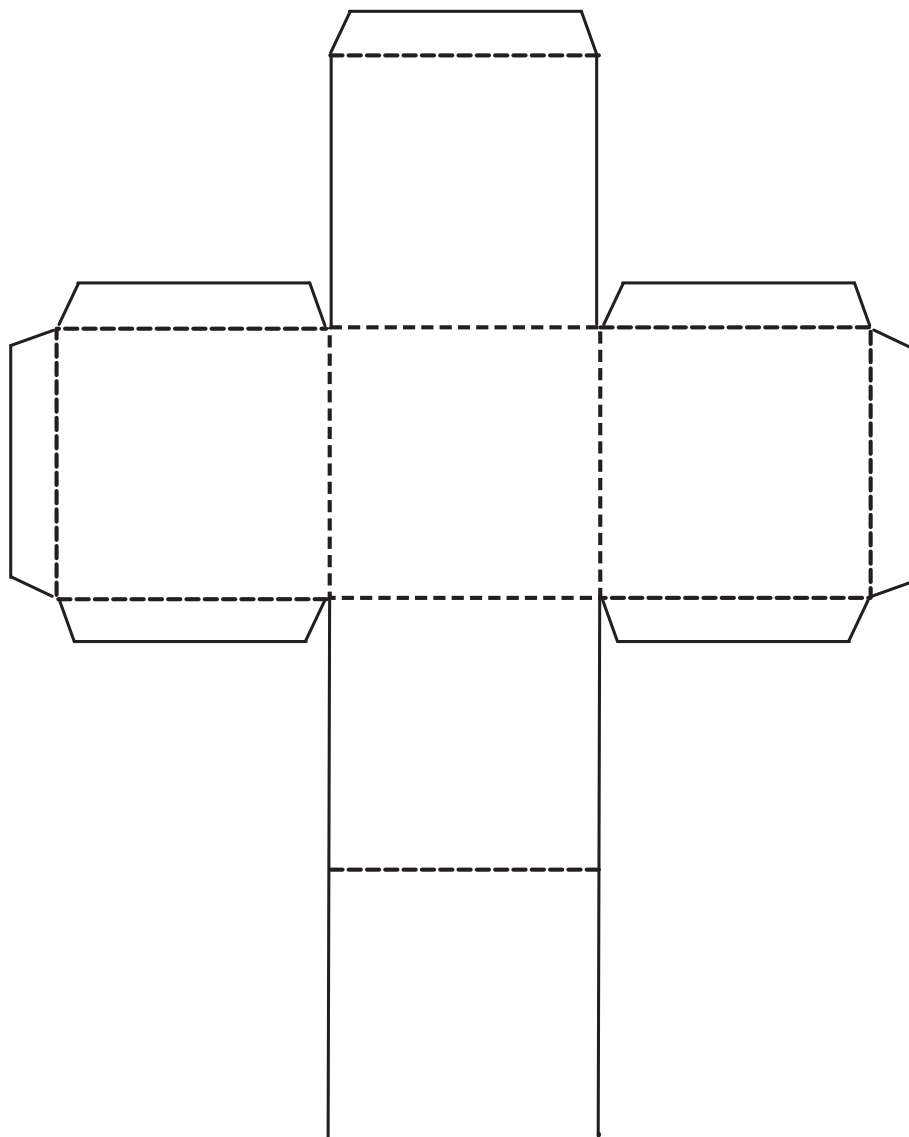
A large, empty rectangular area enclosed by a dotted orange border, intended for drawing a picture inspired by the symbols on the dice.

Rory's Story Cubes®

Small games to spend time
with Rory's Story Cubes.

4 Make your own Story Cube!

Print or copy this die-cutting pattern, draw your own symbols on the sides and assemble them to make your Story Cube!



Guessing games - Answers:

(a) Harry Potter; (b) Japan; (c) The Octopus; (d) Icarus, Zeus, Medusa.
